



# BIG Z SYSTEM

For Broiler Breeder / Broiler Parent • Ducks • Duck Breeder / Duck Parent • Geese • Goose Breeder / Goose Parent

## Tough enough to effectively water large birds.

### PROVEN BENEFITS:

Hygienic water delivery / Durable and wear-resistant / Keeps litter, slats and pits dry / Effective flushing and vaccination / Eliminates routine cleaning / Improves feed efficiency / Lowers mortality / Lowers condemnation rate / Improves weight gain

1

Larger birds over 3.5 kg (7.7 lbs.) have bigger beaks and strike the drinkers more forcefully. This can lead to water spillage and drinkers that wear out too quickly. Ziggity's Big Z is the only fully enclosed drinker engineered to solve these problems.

2

Far bigger than standard-sized drinkers, Big Z delivers all of the hygienic water big birds need, while keeping litter/slats dry. Maintaining dry litter conditions will often lead to better performance, including improved feed efficiency, weight, condemnation rates and livability.

3

Because Big Z is larger and more durable than standard drinkers, it's also far more resistant to wear. So Big Z keeps performing year after year without the water spillage that can result from worn out drinkers. As a result Big Z drinkers can help produce healthier birds.

4

Our 10-year prorated warranty is all the assurance you need. It is another example of how Ziggity improves results through innovation.

Significantly larger than standard drinkers, Big Z is the most durable drinker available to meet the demanding needs of large birds.

### 10-YEAR

Prorated Drinker Warranty  
Illustrates our commitment to the quality of Ziggity drinkers.

### Big Z Drinker Benefits

- Corrosion-resistant stainless steel components for long life.
- Twin-lock design keeps drinkers secure in the pipe saddle.
- Hardened stainless steel insert helps prevent drinker wear.



**Big Z Shielded Drinker Helps Prevent Spillage**  
The shield forces broiler breeder/parent birds to drink at the proper angle. Useful in sloping slats applications. Not suitable for day-olds, ducks and geese.



Big Z Drinker

Standard Drinker

**BIGZ**  
DRINKERS



### Advanced Drinker Technology

Large size affords large birds more effective and easier drinking. Big Z comes in various models, each one designed for a specific application.

# The same concept that made Ziggity the leader in broiler watering, only bigger and tougher for big birds.



**Regulator**  
Delivers high water volume at the low pressure required for no-spill drinking. Built-in flush valve makes for easy removal of sediment, biofilm and air.



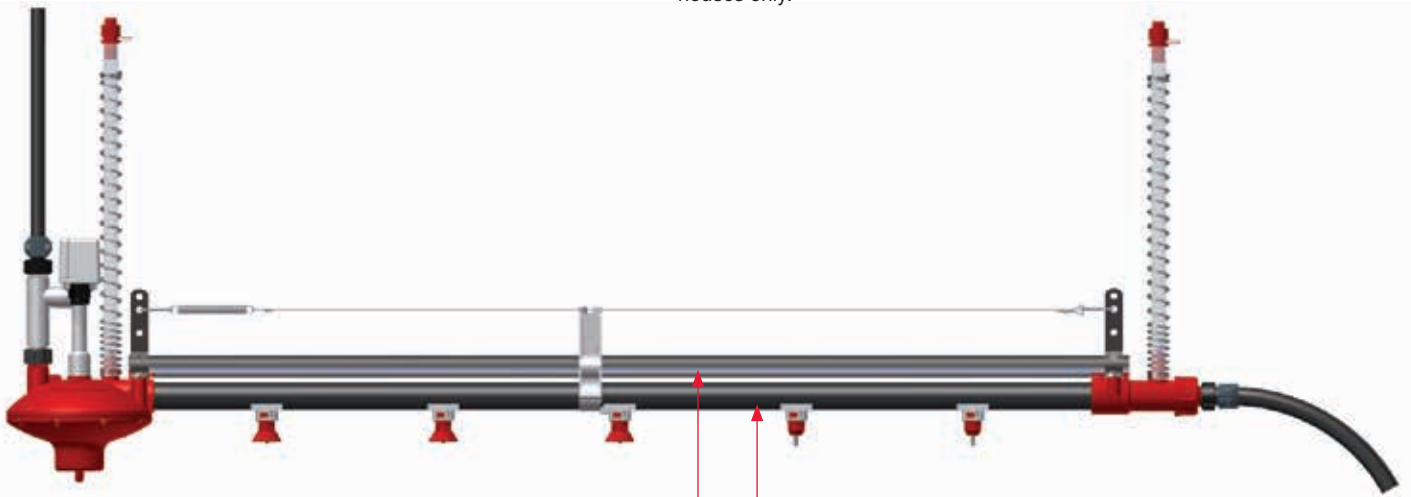
**Solenoid Regulator**  
For automatic and unattended system flushing – requires connection to a controller or timer with a 24 VAC output.



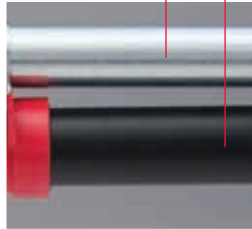
**Slope Neutralizer**  
Reduces slope pressure by a preset amount, requires no adjustment and maintains system pressure setting even when birds are not drinking. Required in sloped houses only.



**End Assembly**  
Opens automatically during the flush mode for easy and effective flushing.



**Galvanized Support Pipe**  
Ziggity's round profile support pipe provides maximum strength and stability for reduced drinker line sway.



**Large Diameter Big Ace Pipe**  
Industry's largest water-bearing pipe has virtually no obstructions for more effective flushing.



100% FOCUSED

**Ziggity Support:**  
As the only manufacturer 100 percent focused on poultry watering, Ziggity provides a number of available resources to optimize bird and system performance.



**Web Site:**  
[www.ziggity.com](http://www.ziggity.com). Lots of useful product and watering information. View on computer or mobile device.



**Poultry Watering Insights and Principles:**  
A source of real world information and advice. Subscribe to Watering Insights eNews at [www.poultrywatering.com](http://www.poultrywatering.com)



**Management Procedures:**  
Helpful recommendations for managing Ziggity watering systems.

**The Poultry Watering Specialists**



Ziggity Systems Inc.  
101 Industrial Parkway East  
Middlebury Indiana 46540-8549  
USA  
Tel: +1 574.825.5849 • Fax: +1 574.825.7674  
[www.ziggity.com](http://www.ziggity.com)